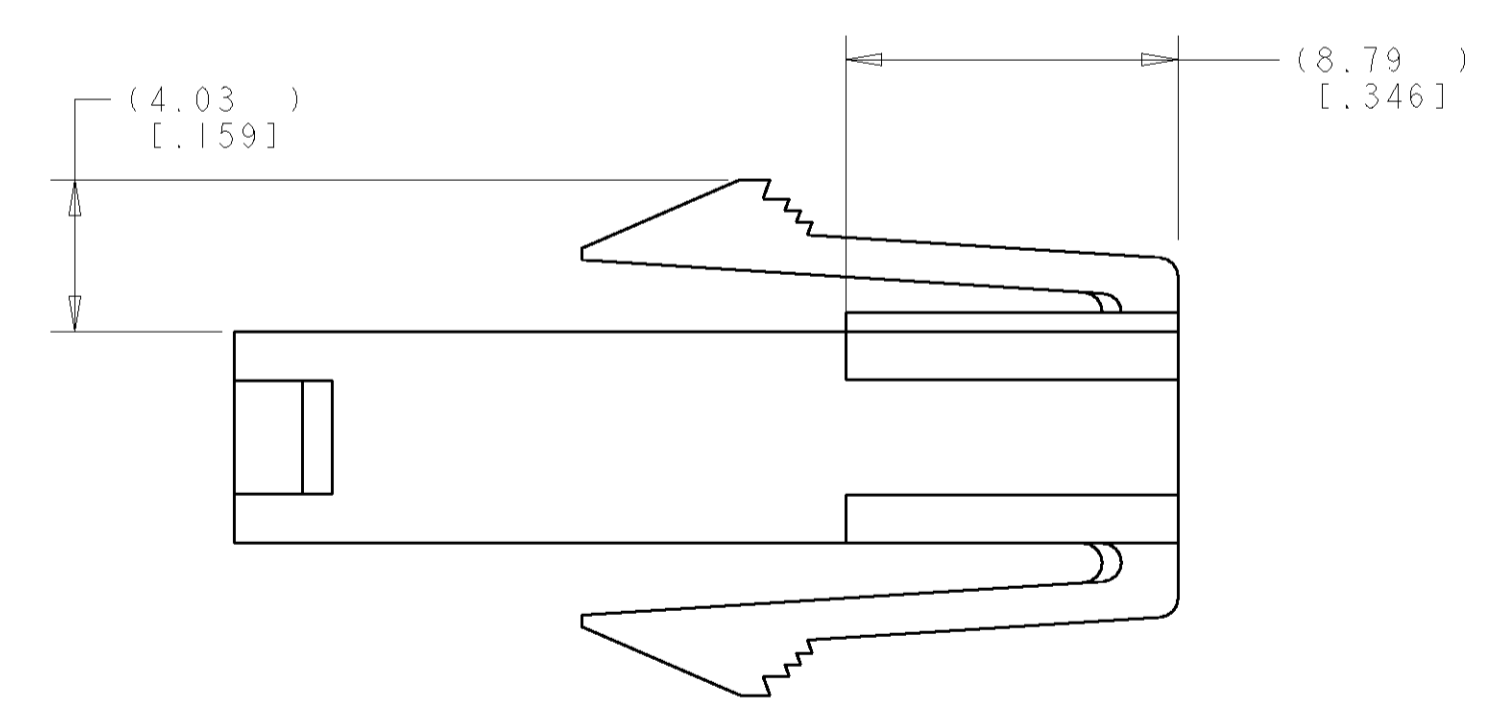
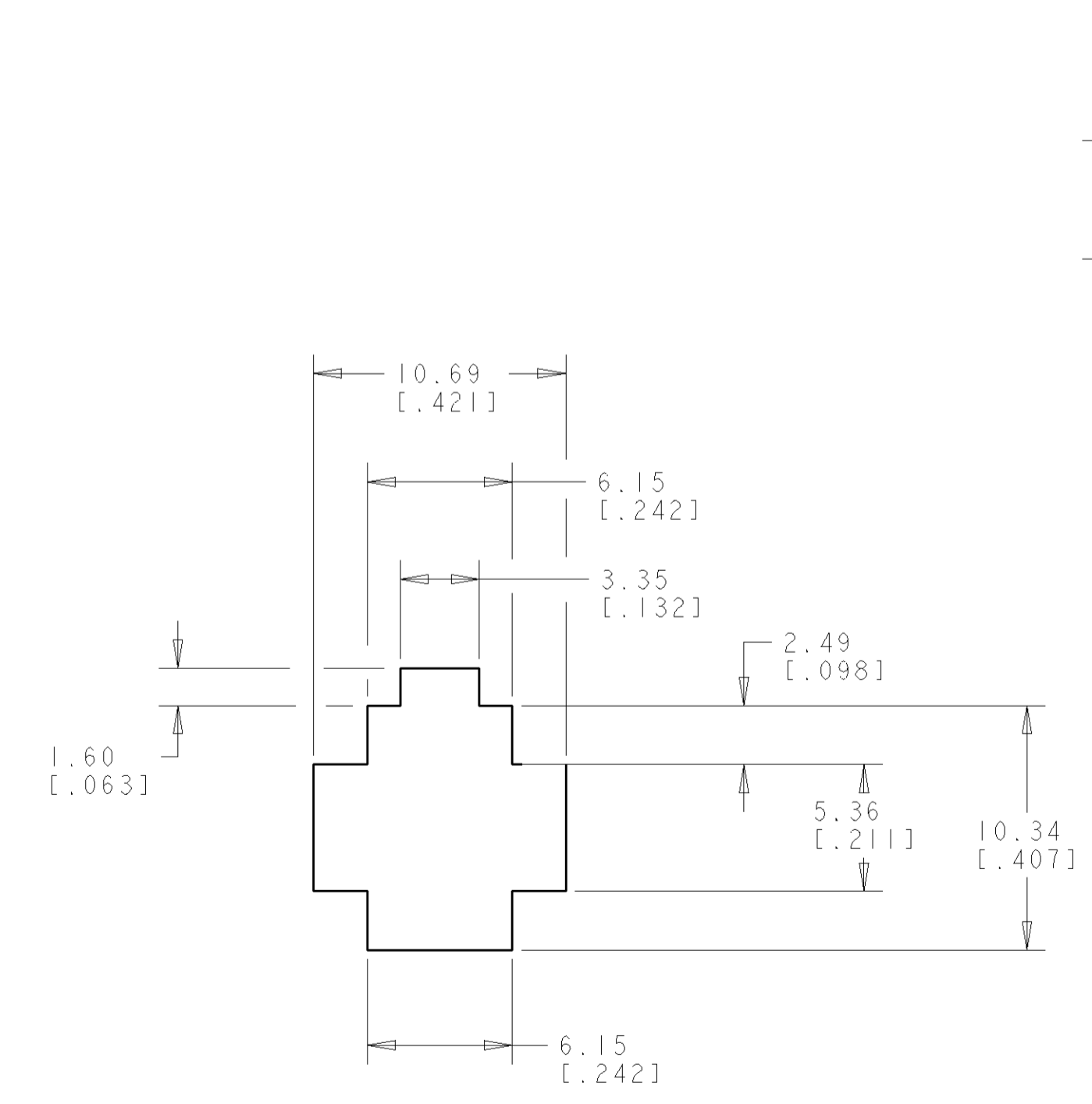
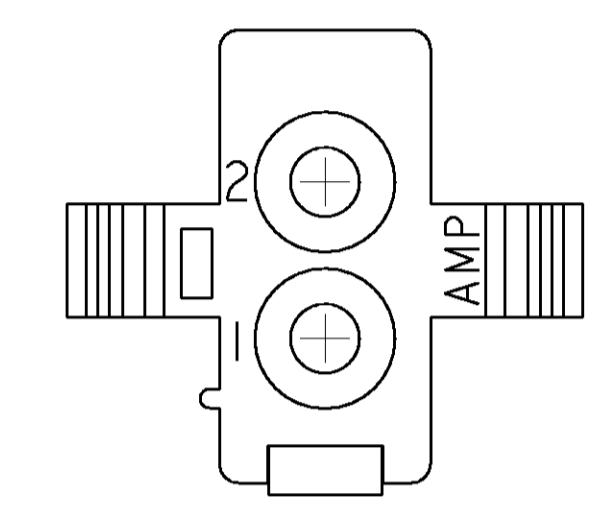
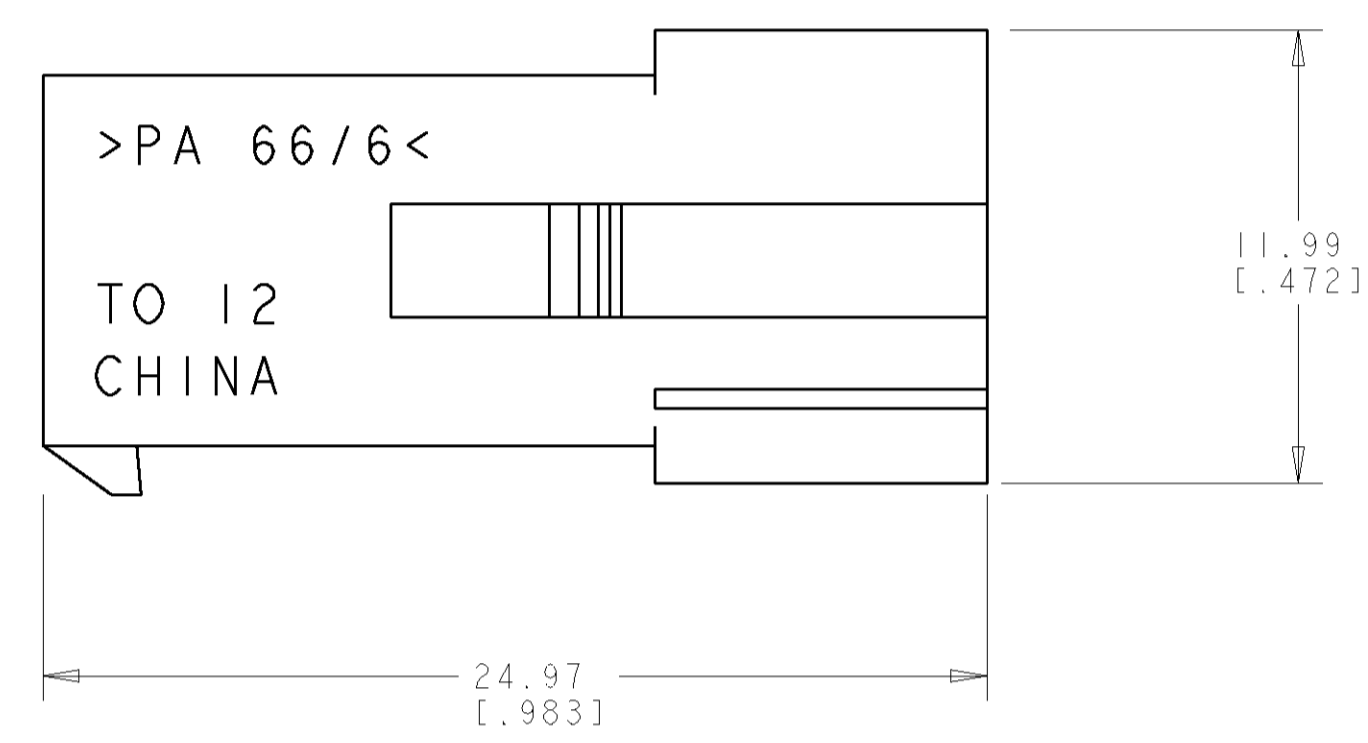
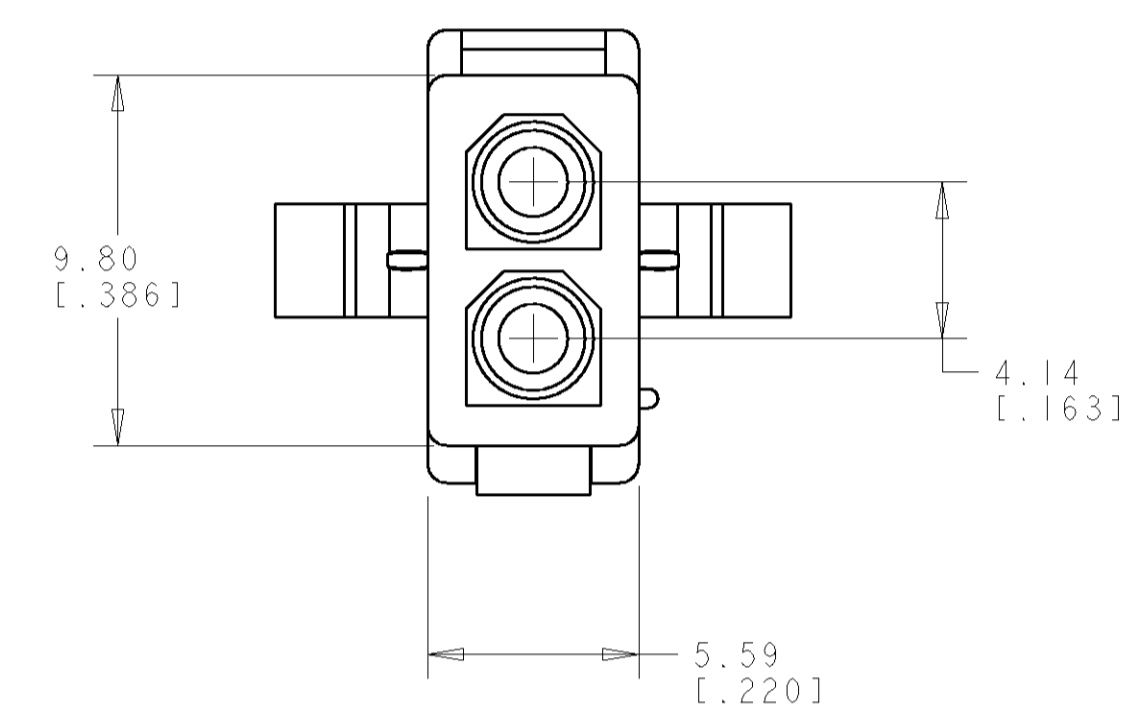


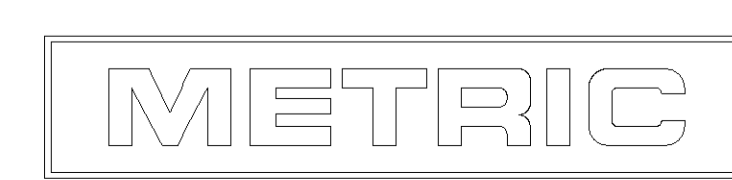
LOC	DIST	REVISIONS					
		P	LTR	DESCRIPTION	DATE	DWN	APVD
CM	00	A		REVISED PER 0638-0251-04	22JUN04	KW	CJ

1. APPLICABLE CONTACT P/N: 170539, 170360, 170361, 170362.
2. MATING HOUSING P/N: 794894.
3. RECOMMENDED PANEL THICKNESS TO BE 0.8-2.0 [.031-.079].
4. HOUSING INSERTION INTO THE PANEL CUT OUT MUST BE IN THE SAME DIRECTION AS THE PUNCH.



RECOMMENDED PANEL CUT OUT
 SCALE 4:1

794896-1
 PART NUMBER



<small>THIS DRAWING IS UNPUBLISHED. RELEASED FOR PUBLICATION BY TYCO ELECTRONICS CORPORATION. IT IS SUBJECT TO CHANGE FOR CORRECTING AND IMPROVING DESIGNATION SHOULD BE CONTACTED FOR THE LATEST EDITION.</small>		DWN: R. WHITAKER 29JAN2001 CHK: C. JONES 29JAN2001 APVD: C. JONES 29JAN2001	Tyco Electronics Tyco Electronics Harrisburg, PA 17105-3608
DIMENSIONS: mm [INCHES]	TOLERANCES UNLESS OTHERWISE SPECIFIED: 0 PLC ±. 1 PLC ±. 2 PLC ±0.13 (.015) 3 PLC ±.005 4 PLC ±. ANGLES ±40° 30'	NAME: CAP. PRODUCT SPEC: 2 CIRCUIT, SEALED APPLICATION, APPLICATION SPEC: MINI UNIVERSAL MATE-N-LOK™	SIZE: A CAGE CODE: 00779 DRAWING NO: 794896
MATERIAL: NYLON, UL94V-0 NATURAL	FINISH: -	WEIGHT: - CUSTOMER DRAWING	RESTRICTED TO: - SCALE: 5:1 SHEET: 1 OF 1 REV: A